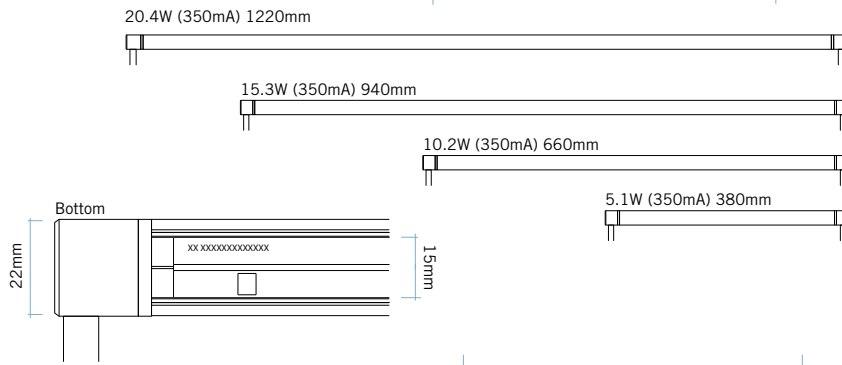


a-line display LED



a-line/LED
Linear LED
120°
White 3000°K
Cool White 4000°K

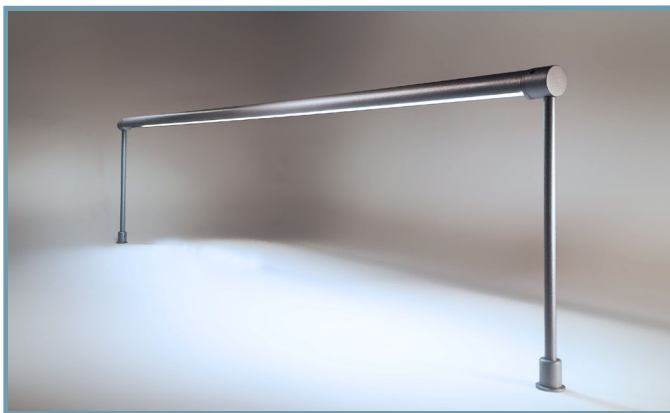
a-line/LED
lengths



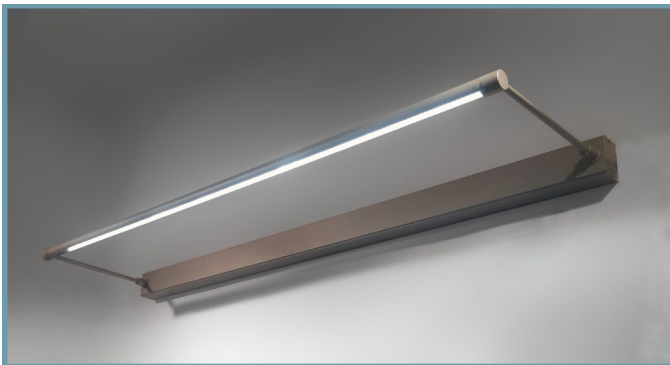
a-line/LED/display

A-LINE/LED

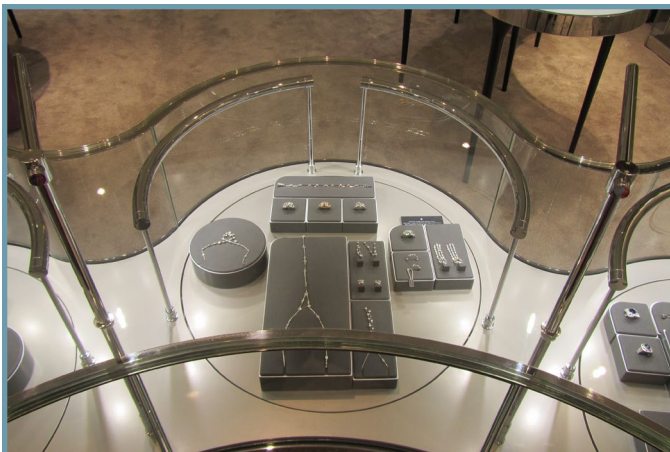
Design: Aktiva, 2014
Manufacture: Aktiva, London.



a-line/LED/display/W1/E1



a-line/LED/Integral



Boodles at Harrods - Eva Jiricna Architects

a-line/LED/Curve

High performance high efficiency ultra slim Ø22mm LED fitting for display and picture light applications. Features include facility to join b-line in multiples, lockable shade adjustment, 3000°K & 4000°K colour temperature as standard plus 3 further options. 90+ CRI colour rendering option also offered.

LED

Linear LED producing a highly efficient 121 lumens per Watt* with standard 30° PMMA satin lens. Available in White 3000°K & Cool White 4000°K. LED CRI: 82 - 84. 90+ CRI also available.

350mA Length	Wattage	Voltage (d.c)	Total Luminous Output	
			3000°K	4000°K
380 mm	5.1 W	15 V	635 lm	680 lm
660 mm	10.2 W	29 V	1270 lm	1395 lm
940 mm	15.3 W	44 V	1904 lm	2093 lm
1220 mm	20.4 W	58 v	2540 lm	2720 lm

Longer lengths available

*based on 4000°K LED at 350mA. 10% output decrease after 50,000 hrs.
LED Boards running at tc=65°C.

350mA DRIVERS

aktvs 350.009
akttri TALEXxconverter
akttri TALEXxconverter

ECXe 11W driver 380mm a-line/LED
LCI 20W 350mA TEC SR 660mm & 940mm a-line/LED
LCI 35W 350mA TEC SR 1220mm a-line/LED

OPTIONS

/colour temperature	very warm white 2700°K optional warm white 3000°K standard cool white 4000°K standard cool white 5000°K optional daylight 6500°K optional
/CR90+	high colour rendering LED
/curved	curved shade down to 300mm radius as special order
/dim1	analogue 1-10v dimmable driver
/dim2	digital/DALI dimmable driver
/diffuser1	clear diffuser
/diffuser2	opal/frosted diffuser
/e1	fixing to allow non-standard length stems
/f1/e1	surface/wall fixing
/emergency	3 hour maintained remote or integral
/integral35	integral ballast & box d:35mm w:50mm
/multiple	x2 x3 x4.....in continuous run
/support stems	50mm/100mm/200mm standard lengths
/unit length	shade/s cut to special lengths
/w1	through panel fixing

See FIXING SHEET for more details
See CONTROLS for more details

FINISHES

Coated: Matt Silver, White
Standard Polished or Brushed: Stainless Steel, Chrome, Brass
Special finishes on request

See FINISHES sheet for details

