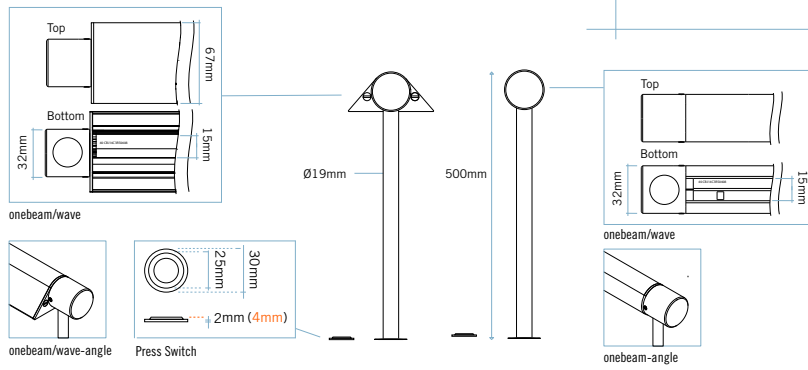


b-line LED One Beam



b-line/LED/onebeam/wave

b-line/LED/onebeam



b-line/LED/onebeam/wave top detail - satin stainless steel effect

B-line/OneBeam

Design: Aktiva, 2014

A single span LED reading desk light which offers an economical solution. At 500mm above the desk surface B-Line/OneBeam gives excellent light coverage on both sides of a 1600mm width 2-sided desk.

All features of the high performance/100 lumens per watt original B-Line: can be joined in multiples, tailored lengths, lockable shade adjustment and comprehensive colour temperature options.

B-line/OneBeam/wave

OneBeam/Wave offers the same desk light coverage as OneBeam with the low-profile Wave shade effectively minimizing glare.

LED

Linear LED producing 100 lumens per Watt* with standard 116° PMMA satin lens. Available in Warm White 2700°K, White 3000°K & Cool White 4000°K. LED CRI: 82 - 84.

Length	Wattage	Voltage (d.c)	Total Luminous Output	
			3000°K	4000°K
390 mm	5.1 W	15 V	590 lm	627 lm
670 mm	10.2 W	30 V	1179 lm	1254 lm
950 mm	15.3 W	45 V	1769 lm	1882 lm
1230 mm	20.4 W	60 V	2358 lm	2509 lm
1510 mm	25.5 W	75 V	2948 lm	3136 lm
1790 mm	30.6 W	90 V	3538 lm	3763 lm

*based on 4000K LED at 350mA. 10% output decrease after 50,000 hrs (L90/B10) LED Boards running at tc=65°C.

250mA, 500mA and 700mA alternative outputs
Lower & higher outputs available on application.

Aktiva will only offer warranty on LED fittings where Aktiva approved drivers are used. For further information and wiring/installation details contact Aktiva.

DRIVERS

AKT/350-240-56V-C	390-950mm b-line/LED (350mA)
AKTS ECXe 350.028 186226	1510mm+ b-line/LED (350mA)

Higher 350mA output, 500mA & 700mA available on application.

OPTIONS

/dim1	analogue 1-10v dimmable driver
/dim2	digital/DALI dimmable driver
/multiple	x2 x3 x4..... in continuous run
/PressRemote	remote on/off press switch
/.....mm length	shade/s cut to special lengths
/.....mm upstandsmm (standard: 500mm)
/wave	shade with glare-free performance
/white warm LED	2700°K colour temperature
/white LED	3000°K colour temperature
/white cool LED	4000°K colour temperature
/w1	Ø22mm washer fixing

For full fixing details see FIXINGS sheet

FINISHES

Standard Coated: matt silver, white
Standard Plated: satin stainless steel effect, polished chrome, polished brass, brushed brass
Special finishes on request (including bronze coated) on request

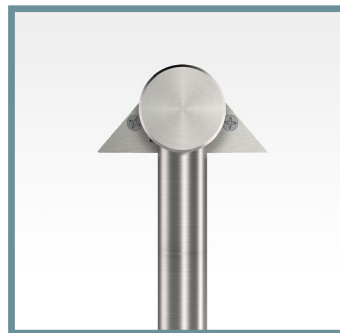
See FINISHES sheet for details



b-line/LED/onebeam/wave/press remote - Stainless steel effect



b-line/LED/onebeam - detail



b-line/LED/onebeam/wave - detail



Press remote



b-line/LED/onebeam/wave - detail

