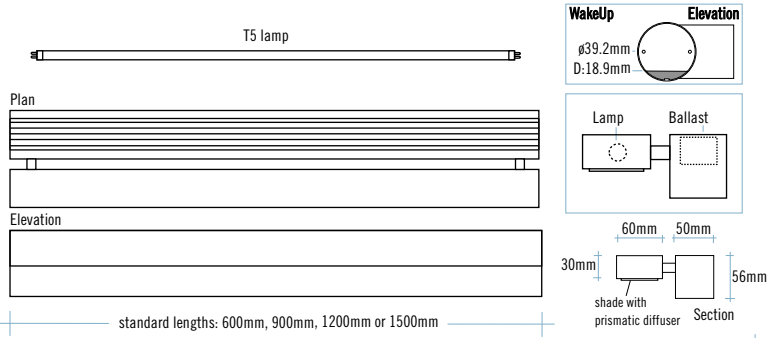


b-square book/1 bookshelf lighting



B-Square/Book1



B-Square / Book / Integral Ballast

B-SQUARE/1/BOOK Design: Aktiva, 2006

An economical plug-in lighting system designed to fit all static and mobile metal bookshelves. Sizes and fixings tailored to manufacturers requirements. Light output can cover both shelves and aisles. Capital costs, installation costs and running costs minimised.

FEATURES

- Excellent bookshelf and aisleway fluorescent illumination with High Output T5 Lamping
- Suitable for mobile bookshelving
- Plug-in units minimise installation costs
- Passive microwave detector for minimising running costs
- Design tailored to fit particular shelving system

OPTIONS

- /adj adjustable stabiliser to prevent sagging where extra long stems used
- /b-line system may use b-line fitting
- /dim1 analogue 1-10v dimmable electronic ballast
- /dim2 digital/DALI dimmable electronic ballast
- /e fixing to allow non standard length stems
- /emergency 3 hours maintained
- /length as per manufacturers' module length
- /support stem 16mm - 200mm (standard 200mm)
- /special stem 200mm - 400mm
- /uv ultraviolet ray filter film sleeve for high level colour & materials protection from degradation
- /...W t5 24 - 80 Watt High Output t5 fluorescent lamp
- /WakeUp microwave presence detector with adjustable sensitivity for economical running of installations

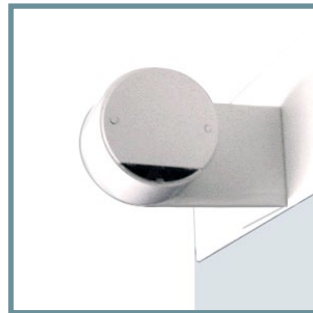


B-Square/Book2 Integral Ballast

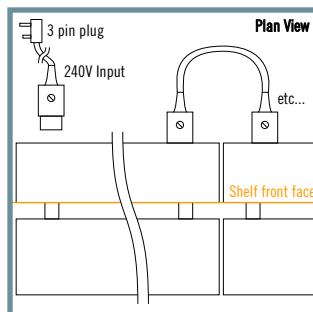


Mobile Shelving/Cowdray House
/London School of Economics

B-Square/Book2



WakeUp - microwave presence detector



Plug-in system between modules



Brent Library, London/Hopkins Architects

B-Square/Book1