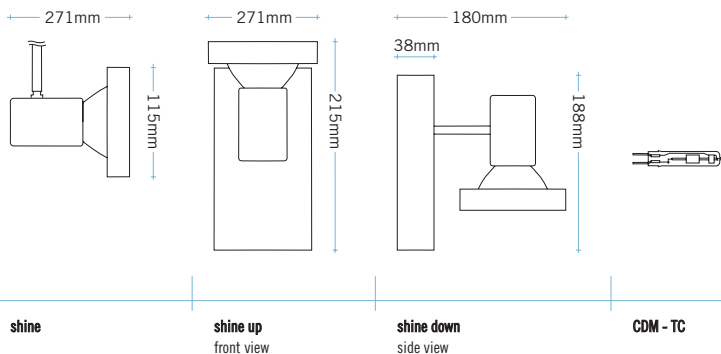


shine

ceramic metal halide



shine track

SHINE

Design: Aktiva, 2001
Manufacture: Aktiva, London.

Range of ceramic metal halide spotlights using a compact cdm - tc lamp. Shine offers economy and power - three times the light efficiency and over twice the life of halogen lamps.

LAMPS

CDM - TC:85 lumens/watt
20 Wat CDM - TC
35 Wat CDM - TC
70 Wat CDM - TC

OPTIONS

/b	Ø 75mm ceiling plate
/beam	spot / 15°, medium / 30°, flood / 60°
/down	downlighter with integral ballast
/louvre	anti - glare honeycomb louvre
/p	pendant stem or flex upto 1000mm
/t	240V 3 circuit track with integral ballast
/up	uplighter with integral balast
/wall/f	stem version surface fixed with remote ballast
/wall/w	stem version panel fixed with remote ballast

For full fixing details see FIXINGS sheet

FINISHES

Standard coated: matt silver, white
Special coated and plated finishes available.



shine wall



shine up



shine pendant



shine louvre